

DROPS Design®

www.garnstudio.com

Moonlight Mist by DROPS Design

DROPS circle jacket crochet with 2 strands "Alpaca".
Sizes S-XL

Size: S/M -M/L - XL

Note! Measures in the chart below in cm.

Materials: DROPS Alpaca from Garnstudio
700-800-900 g color no. 6205, light blue

DROPS crochet hook size 6 mm [J/10] or the size needed to
obtain the correct crochet gauge.

2 buttons – approx 2.5 cm [7/8"] in diameter.



DROPS 99-3

Yarn prices (per 24.03.2020)

Yarn (weight)	Content	United States
DROPS Alpaca uni colour (50g)	100% Alpaca	5.30 USD
DROPS Alpaca mix (50g)	100% Alpaca	5.60 USD

 You can get the yarn to make this pattern from **74.20\$***.

(*) Pattern prices are calculated from the smallest size / cheapest colour. You will find a prices table in this print to help you calculate the price for other sizes.

All yarns are DROPS yarns. Color charts and updated retailer lists at www.garnstudio.com

Pattern for DROPS 99-3

Crochet the jacket according to the explanations for the circle. Start to bind off for the armholes on the 12-13-14th round. Crochet 2 rounds according to the explanation for bind off for armholes, then continue to crochet according to explanation for the circle.

Crochet gauge: 3 rows in the circle using hook size 6 mm [J/10] and 2 strands Alpaca should measure 6.5 cm [2 5/8"]. After 5th round the circle should measure 20 cm [8"] in diameter.

Crochet info: Substitute the first tr each round with 4 ch. Finish each round with a sl st at beg of round.

Measurement tip: Because of the weight of the yarn, all measurements should be made whilst the garment is hanging, otherwise the sleeves will be too long when wearing the jacket.

CIRCLE

Ch 4 with 2 strands Alpaca and make a ring with a sl st in the first ch.

1st round: Crochet 8 sc around the ring

2nd round: Read crochet info! Crochet 3 tr in each sc. Finish with a sl st at beg. of round = 24 tr

3rd round: Crochet 1 tr, *3 ch, skip 1 tr, 1 tr in the next tr*, repeat from *-* and finish with 3 ch and 1 sl st at the beg. of round = 12 tr.

4th round: Crochet 3 tr in the first tr *3 ch, skip 3 ch, 3 tr in the next tr*, repeat from *-* and finish with 3 ch, skip 1 tr and 1 sl st at beg. of round = 36 tr.

5th round: Crochet 1 tr in each tr and 3 tr in each ch-loop = 72 tr. The circle now measures approx. 20 cm [8"] in diameter.

6th round: Crochet 1 tr in the first tr, *3 ch, skip 1 tr, 1 tr in the next tr*, repeat from *-* and finish with 3 ch, skip 1 tr and a sl st at beg of round = 36 tr

7th round: Crochet 3 tr in the first tr,* 2 ch, skip 3 ch, 3 tr in the next tr*, repeat from *-* and finish with 2 ch, skip 3 ch and a sl st at beg of round = 108 tr.

8th round: Crochet 1 tr in each tr and 1 tr in each ch-loop = 144 tr.

9th round: Crochet 1 tr in the first tr, *3 ch, skip 2 tr, 1 tr in the next tr*, repeat from *-* and finish with 3 ch, skip 2 tr and a sl st at beg of round = 48 tr

10th round: Crochet 3 tr in the first tr *1 ch, 3 tr in the next tr*, repeat from *-* and finish with 1 ch and a sl st at beg of round = 144 tr.

11th round: Crochet 1 tr in each tr and 1 tr in each ch-loop = 192 tr.

Remember to bind off for armholes for size S/M – read bind off explanation for round 12 and 13 below!

12th round: *1 tr, 3 ch, skip 2 tr*, repeat from *-* until finish round = 64 tr.

Remember to bind off for armholes for size M/L – read bind off explanation for round 13 and 14 below!

13th round: 3 tr in the first tr, *2 ch, 3 tr in the next tr*, repeat from *-* = 192 tr.

Remember to bind off for armholes for size XL – read bind off explanation for round 14 and 15 below!

14th round: 1 tr in each tr, 1 tr in each ch-loop = 256 tr.

15th round: 1 tr in the first tr, *3 ch, skip 2 tr, 1 tr in the next tr*, repeat from *-* until finish round = 86 tr.

16th round: 3 tr in the first tr, *2 ch, 2 tr in the next tr, 2 ch, 3 tr in the next tr*, repeat from *-* until finish round = 215 tr.

Repeat round 14, 15 and 16 with inc. until the circle measures 100-110-120 cm [39 3/8"-43 3/8"-47 1/4"] in diameter.

BIND OFF for armholes as follows:

Size S/M: Crochet armholes according to round 12 below.

12th round: Crochet 1 tr, 26 ch, skip over 26 tr, *1 tr, 3 ch, skip over 2 tr*, repeat from *-* a total of 14 times, 1 tr, 26 ch, skip 26 tr, *1 tr, 3 ch, skip 2 tr*, repeat from *-* until finish round = 48 tr.

13th round: Crochet as follows over the 26 ch's: *3 tr, 2 ch*, a total of 8 times. Over the tr crochet as follows: *3 tr in each tr, 2 ch*, repeat from *-* = 192 tr. Continue on round 14 as explained above.

Size M/L: Crochet arm holes according to round 13 below.

13th round: 3 tr in the first tr, 30 ch, skip over (1 tr and 3 ch) a total of 7 times, 3 tr in the following tr, *2 ch, 3 tr in the next tr*, repeat from *-* a total of 15 times, 30 ch, skip over (1 tr and 3 ch) a total of 7 times, *2 ch, 3 tr in the next tr*, repeat from *-* until finish round = 150 tr.

14th. round: Crochet as follows over the 30 ch's: 28 tr. Over the tr and the ch-loops crochet as follows: 1 tr in each tr, 1 tr in each ch-loop = 256 tr. Continue on round 15 as explained above.

Size XL: Crochet the armholes according to round 14 below:

14th round: 34 ch, skip over (3 tr and 2 ch) a total of 8 times, *1 tr in each of the next 3 tr, 1 tr in the next ch-loop*, repeat from *-* a total of 16 times, 34 ch, skip over (3 tr and 2 ch) a total of 8 times *1 tr in each of the next tr, 1 tr in the next ch-loop*, repeat from *-* until finish round = 192 tr.

15th round: Crochet as follows over the 34 ch: *1 tr, 3 ch*, repeat from *-* a total of 11 times. Over tr crochet as follows: 1 tr, *3 ch, skip over 2 tr, 1 tr in the next tr*, finish with a tr in the last tr = 86 tr. Continue on round 16 as explained above.

SLEEVES: Crochet the sleeves from the armholes and down with 2 strands Alpaca. Crochet around. Remember the crochet info!

1st round: Crochet 52-60-68 tr around the armhole from the circle and finish with a sl st in the first tr from beg. of round.

2nd round: Crochet 1 tr in the first tr, *3 ch, skip over 3 tr, 1 tr in the next tr*, repeat from *-* and finish with: Skip over 3 ch and 1 sl st in the first tr = 13-15-17 tr.

3rd round: Crochet 2 tr in the first tr, *1 ch, skip over 3 ch, 2 tr in the next tr*, repeat from

- and finish with: 1 ch and 1 sl st in beg. of round = 26-30-34 tr.

4th round: Crochet 1 tr in each tr and 2 tr around each ch = 52-60-68 tr.

Repeat 2nd, 3rd and 4th round until the sleeve measures 52-54-56 cm [20½"-21 ¼"-22"] from the armhole – read measurement tips.

Cut and sew the thread.

Crochet edge: Crochet an edge around the circle and at the bottom of the sleeves with 2 strands Alpaca as follows: 1st round: 1 tr in the first tr, *2 ch, skip 1.5 - 2 cm [½"-3/4"], 1 tr in the next stitch*, repeat from *-* and finish with 2 ch and a sl st in the first tr.

2nd round: 2 tr in the first tr, *4 ch, 2 tr in the same tr, 1 ch, 2 tr in the next tr* and finish with 4 ch, 2 tr in the same tr, 1 ch and 1 sl st in the first tr. Cut and sew the thread.

Button cover: Ch 2 with 2 strands Alpaca and then crochet 6 sc in the first of the 2 ch and finish round with a sl st in the first sc (= 1st round).

2nd round: 1 ch, crochet 2 sc in each sc and finish with a sl st at beg. of round (= 12 sc)

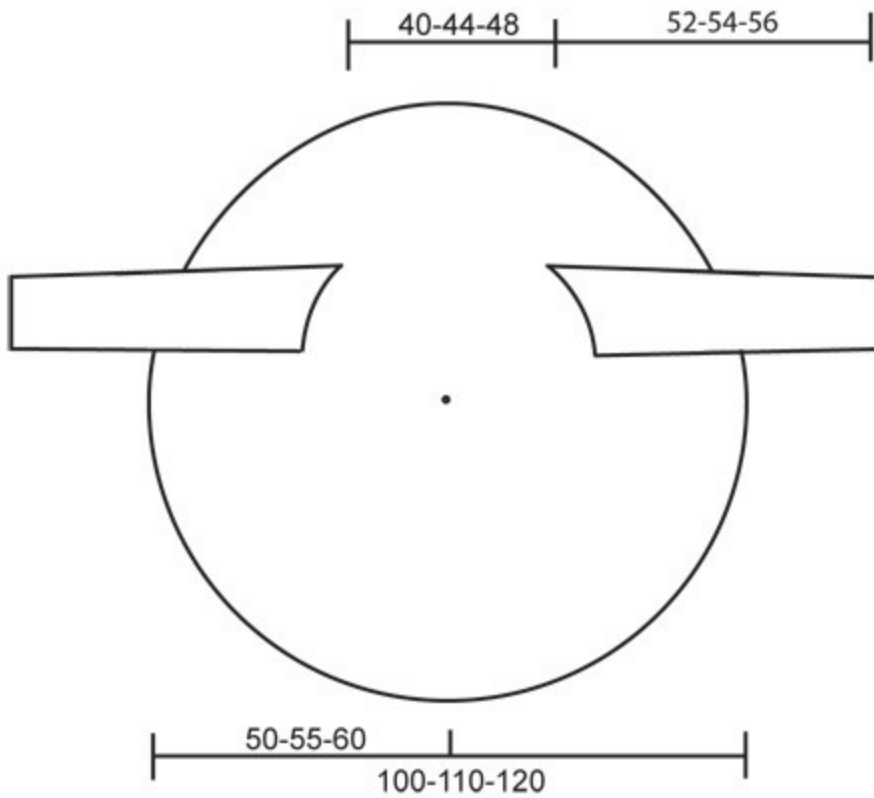
3rd + 4th round: 1 ch, 1 sc in each sc and finish with a sl st at beg. of round (= 12 sc).

5th round: 1 ch, crochet 1 sc in every other sc and finish with a sl st at beg. of round (= 6 sc).

Put the button inside the cover, sew around and pull tight.

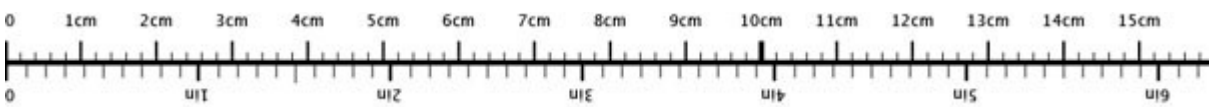
Try on the jacket and place the buttons in the waist on the left side of the jacket in the penultimate round.

Diagram for DROPS 99-3



♥ Have you made this or any other of our designs? Tag your pictures in social media with #dropsdesign so we can see them!

Use me to measure your project!



To get the measurement tape to be 100 % accurate, you have to print out the pattern in full scale (and not use the print option "fit to page").

Do you need help with this pattern?

You'll find 7 tutorial videos, a Comments/Questions area and more by visiting the pattern on garnstudio.com. **Have you purchased DROPS yarn to make this pattern?** Then you are entitled to receive help from the store that sold you the yarn.

We take pride in providing patterns that are correct and easy to understand. All patterns are translated from Norwegian and you can always check the original pattern for measurements and calculations.

If we get a report of a potential error, we will review the pattern and make the correction if necessary. This will be done normally within 7 to 10 working days. If no correction is made, it means that we weren't able to find any error/mistake.

Wondering where you can buy the yarn for this pattern?

Try a DROPS Super Store!

- Wool Warehouse Direct Ltd



DROPS
SOCK-A-LICIOUS

30%
discount

DROPS **NORD** MIX
Everyday comfort in alpaca and wool

DROPS **DELIGHT** PRINT
Superwash treated sock wool

DROPS **Fabel** Print
Superwash treated sock wool

March 1st to 31st ✦ [garnstudio.com/sale](https://www.garnstudio.com/sale)



© 1982-2020 DROPS Design A/S. We reserve all rights. This document, including all its sub-sections, has copyrights. Read more about what you can do with our patterns at the bottom of each pattern on our site.