

# DROPS Design®

www.garnstudio.com

## Gypsy Blue by DROPS Design

Crochet DROPS jacket worked in a circle in "Big Delight" and "Karisma". Size: S - XXXL.

DROPS design: Pattern no db-053

Yarn group C or A + A

Size: S - M - L - XL - XXL - XXXL

Materials:

DROPS BIG DELIGHT from Garnstudio

300-400-400-500-500-500 g color no 09, atlantis

DROPS KARISMA from Garnstudio

250-300-300-350-350-400 g color no 60, blue turquoise

DROPS CROCHET Hook size 6 mm / J/10 – or size needed to get 12 tr in width x 4.5 tr vertically alternately with 1 round Big Delight and 1 round Karisma = 4" x 4" (10 x 10 cm).



**DROPS 165-40**

## Yarn prices (per 24.03.2020)

Yarn (weight)	Content	United States
DROPS Big Delight print (100g)	100% Wool	7.80 USD
DROPS Karisma uni colour (50g)	100% Wool	3.20 USD
DROPS Karisma mix (50g)	100% Wool	3.20 USD

 You can get the yarn to make this pattern from **39.40\$\***.

(\*) Pattern prices are calculated from the smallest size / cheapest colour. You will find a prices table in this print to help you calculate the price for other sizes.

All yarns are DROPS yarns. Color charts and updated retailer lists at [www.garnstudio.com](http://www.garnstudio.com)

## Pattern for DROPS 165-40

DECREASE TIP:

2 tr tog into 1 tr as follows: Work 1 tr but wait with last YO and pull through, work 1 tr in next st but pull last YO through all 3 sts on hook.

CROCHET TIP:

Replace first tr on round with 4 ch. Finish with 1 sl st in fourth ch from beg of round.

-----

CIRCLE:

When piece is worked in the round, start with this technique to avoid hole in the middle (instead of ch-ring) use Big Delight: Hold the yarn end and wind the yarn one time around the index finger to make a loop. Hold the loop with left thumb and middle finger, place the yarn over left index finger. Insert hook through the loop, make a YO and pull yarn through loop, work ch 1, then work around the loop as follows:

ROUND 1: ch 1, 1 sc, 2 hdc, 2 dc, 2 tr. Insert 1 stitch marker in loop on last tr so that it does not unravel and place yarn aside. Switch to Karisma and work as follows in loop: 1 sc, 2 hdc, 2 dc, 2 tr. Pull the yarn end to tighten loop. Fasten the yarn end on the back side.

ROUND 2: (Continue with Karisma). Work 1 tr + 1 ch in each of the first 7 sts (= 1 sc, 2 hdc, 2 dc and 2 tr worked with Big Delight). Insert 1 stitch marker in loop on last tr so that it does not unravel and place yarn aside. Continue with Big Delight. Work 1 tr + 1 ch in each of the next 7 sts (= 1 sc, 2 hdc, 2 dc and 2 tr worked with Karisma) = 14 tr + 14 ch.

ROUND 3: (Continue with Big Delight.) Work 1 tr + 1 ch + 1 tr + 1 ch in each of the first 7 tr, insert 1 stitch marker in loop on last tr so that it does not unravel and put yarn aside. Continue with Karisma, work 1 tr + 1 ch + 1 tr + 1 ch in each of the next 7 tr = 28 tr + 28 ch.

ROUND 4: (Continue with Karisma). \* Work 1 tr + 1 ch in the next tr, work 1 tr + 1 ch + 1 tr + 1 ch in the next tr \*, repeat from \*-\* 7 times. Insert 1 stitch marker in loop on last tr so that it does not unravel and place yarn aside. Continue with Big Delight. \* Work 1 tr + 1 ch in the next tr, work 1 tr + 1 ch + 1 tr + 1 ch in the next tr \*, repeat from \*-\* 7 times = 42 tr + 42 ch.

ROUND 5: (Continue with Big Delight.) \* Work 1 tr + 1 ch in each of the next 2 tr, work 1 tr + 1 ch + 1 tr + 1 ch in the next tr \*, repeat from \*-\* 7 times. Insert 1 stitch marker in loop on last tr so that it does not unravel and place yarn aside. Continue with Karisma. \* Work 1 tr + 1 ch in each of the next 2 tr, work 1 tr + 1 ch + 1 tr + 1 ch in the next tr \*, repeat from \*-\* 7 times = 56 tr + 56 ch.

Repeat 4th and 5th round but on every round work 1 tr + 1 ch more between every inc = 14 tr + 14 ch inc on every round. Continue until there are 112-112-126-126-140-140 tr + 112-112-126-126-140-140 ch on round, circle measures approx. 20-20-23-23-25-25 cm / 8"-8"-9"-9"-9 3/4"-9 3/4" from middle (= 40-40-46-46-50-50 cm / 15 3/4"-15 3/4"-18"-18"-19

3/4"-19 3/4" in diameter).

Work next round as follows: (Continue with spiral and color change but without inc.) Work 1 tr + 1 ch in each of the first 16-16-18-18-20-20 tr, work 24-24-28-28-32-32 loose ch for armhole, skip the next 16-16-18-18-20-20 tr, work 1 tr + 1 ch in every tr until 32-32-36-36-40-40 tr remain on round, work 24-24-28-28-32-32 loose ch for armhole, skip the next 16-16-18-18-20-20 tr, work 1 tr + 1 ch in each of the last 16-16-18-18-20-20 tr.

Work next round as follows:

\* Work 1 tr + 1 ch in each of the next 7-7-8-8-9-9 tr, work 1 tr + 1 ch + 1 tr + 1 ch in next tr \*, repeat from \*-\* 2 times, work 18-18-20-20-22-22 tr with 1 ch between each around ch-space, \* work 1 tr + 1 ch in each of the next 7-7-8-8-9-9 tr, work 1 tr + 1 ch + 1 tr + 1 ch in next tr \*, repeat from \*-\* 3 times. Insert 1 stitch marker in loop on last tr so that it does not unravel and place yarn aside. Switch yarn. \* Work 1 tr + 1 ch in each of the next 7-7-8-8-9-9 tr, work 1 tr + 1 ch + 1 tr + 1 ch in next tr \*, repeat from \*-\* 3 times, work 18-18-20-20-22-22 tr with 1 ch between each around ch-space, \* work 1 tr + 1 ch in each of the next 7-7-8-8-9-9 tr, work 1 tr + 1 ch + 1 tr + 1 ch in next tr \*, repeat from \*-\* 2 times = 126-126-140-140-154-154 tr + ch on round.

Work as 4th and 5th round but on every round work 1 tr + 1 ch more between every inc = 14 tr + 14 ch inc on every round. Continue until circle measures 52-54-56-58-60-62 cm / 20½"-21¼"-22"-22¾"-23 5/8"-24 3/8" from middle (= 104-108-112-116-120-124 cm / 41"-42½"-44"-45 3/4"-47 1/4"-48 3/4" in diameter, or desired measurements).

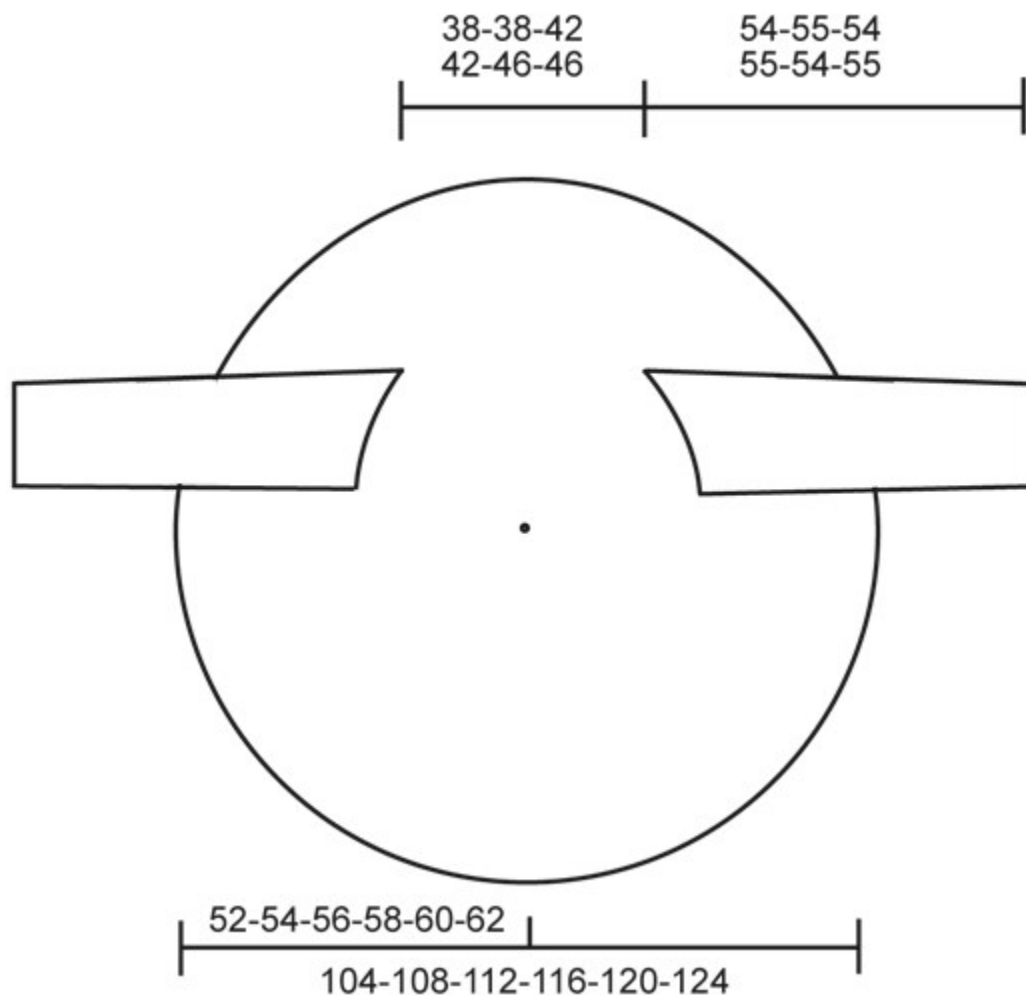
Finish circle as follows: Continue with the same yarn as last round. Work 1 tr in each of the next 2 tr, 1 dc in each of the next 2 tr, 1 hdc in each of the next 2 tr, 1 sc in next tr, 1 sl st in next tr, fasten off. Work the same way in the other side.

#### SLEEVES:

Work in the round from armhole and down. Use hook size 6 mm / J/10 and beg with opposite color of the one the last tr around armholes was worked with. Work stripes, i.e. work 1 round with Karisma and 1 round with Big Delight - READ CROCHET TIP.

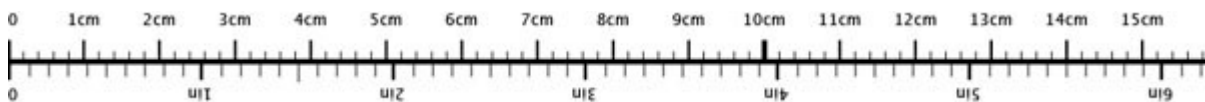
Work 36-38-40-42-44-46 tr around the opening for sleeve, beg of round should be under sleeve. Then work 3 rounds with 1 tr in every tr. Continue with 1 tr in every tr - AT THE SAME TIME dec 2 tr mid under sleeve - READ DECREASE TIP. Repeat dec every 8 cm / 3 1/8" 6 more times = 22-24-26-28-30-32 tr. Continue to work until sleeve measures 54-55-54-55-54-55 cm / 21 1/4"-21½"-21 1/4"-21½"-21 1/4"-21½". Fasten off. Work the other sleeve the same way.

### Diagram for DROPS 165-40



♥ Have you made this or any other of our designs? Tag your pictures in social media with #dropsdesign so we can see them!

### Use me to measure your project!



To get the measurement tape to be 100 % accurate, you have to print out the pattern in full scale (and not use the print option "fit to page").

### Do you need help with this pattern?

You'll find 8 tutorial videos, a Comments/Questions area and more by visiting the pattern on [garnstudio.com](http://garnstudio.com). **Have you purchased DROPS yarn to make this pattern?** Then you are entitled to receive help from the store that sold you the yarn.

We take pride in providing patterns that are correct and easy to understand. All patterns are translated from Norwegian and you can always check the original pattern for measurements and calculations.

If we get a report of a potential error, we will review the pattern and make the correction if necessary. This will be done normally within 7 to 10 working days. If no correction is made, it means that we weren't able to find any error/mistake.

---

## Wondering where you can buy the yarn for this pattern?

Try a DROPS Super Store!

- Wool Warehouse Direct Ltd



**DROPS**  
**SOCK-A-LICIOUS**  
30% discount

DROPS NORD MIX  
Simply comfort in alpaca and wool

DROPS DELIGHT PRINT  
Superwash treated sock wool

DROPS Fabel Print  
Superwash treated sock wool

March 1st to 31st ✦ [garnstudio.com/sale](https://www.garnstudio.com/sale)



© 1982-2020 DROPS Design A/S. We reserve all rights. This document, including all its sub-sections, has copyrights. Read more about what you can do with our patterns at the bottom of each pattern on our site.