



DROPS Design®

Evening Tide by DROPS Design

DROPS 168-27

Crochet DROPS jacket worked in a circle in "Big Delight". Size S-XXXXL.

DROPS design: Pattern no db-059
Yarn group C or A + A

Size: S/M - L/XL - XXL/XXXXL

Materials:

DROPS BIG DELIGHT from Garnstudio
400-500-600 g color no 12, jeans blue/teal

DROPS CROCHET HOOK SIZE 5.5 mm/I/9 - or size needed to get 13 dc x 8 rows = 4" x 4" (10 x 10 cm).



Share your project with us on Facebook or Instagram using #dropsdesign :)

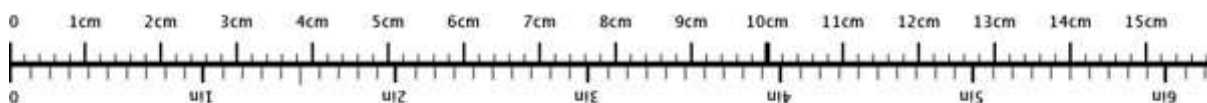
 **You can make this pattern for only 28.40 \$!***

(*) Pattern prices are calculated from the smallest size / cheapest colour. You will find a prices table in this print to help you calculate the price for other sizes.

DROPS Max Prices (per 28.04.2017)

	United States
BIG DELIGHT PRINT (100g)	7.10 USD
DROPS Needles & Hooks	from 1.50 USD

All yarns are DROPS yarns. Color charts and updated retailer lists at www.garnstudio.com



To get the measurement tape to be 100 % accurate, you have to print out the pattern in full scale (and not use the print option "fit to page").

Instructions to DROPS 168-27

Need help? Read more at the end of the pattern

MAGIC CIRCLE:

To avoid hole in the middle beg with this technique:

Hold yarn end in the left hand and make a loop around left index finger (from left to right). Hold the loop with left thumb and index finger. Insert hook through loop, get the yarn from ball, pull yarn through loop, make 1 YO on hook and pull YO through st on hook = 1 sc, work ch 3, then work 15 dc around loop, finish with 1 sl st in 3rd ch = 16 dc. Continue as explained in pattern – AT THE SAME TIME pull yarn end so that loop is tighten tog and the hole disappears.

PATTERN:

See diagrams A.1 and A.2.

CROCHET INFO:

Replace first dc from beg of round with 3 ch. Finish round with 1 sl st in 3rd ch from beg of round.

Replace first tr on beg of round with 4 ch. Finish round with 1 sl st in 4th ch on beg of round.

JACKET WORKED IN A CIRCLE:

Work a MAGIC CIRCLE - see explanation above, on hook SIZE 5.5 mm/US 9 with Big Delight. Then work according to A.1 - NOTE: First round in A.1 is explained in magic circle, work 4 repetitions of A.1 in width. Sl sts at beg of A.1 are only worked at beg of round. READ CROCHET INFO! REMEMBER THE CROCHET GAUGE!

When A.1 has been worked, continue according to A.2, work 7 repetitions of A.2 in width, on last round in A.2 dec 1 dc = 160 dc. Continue to work according to A.1, now beg on 5th round - see arrow in diagram.

Work 1-2-3 rounds as 5th round in diagram (= 80 dc + 2 ch), then work armholes as follows:

Work * 1 dc + 2 ch in first dc *, repeat from *-* over the first 20 dc, work 22-24-26 ch, skip 10-11-12 dc (=1st armhole), work * 1 dc + 2 ch in next dc *, repeat from *-* over the next 40-38-36 dc, work 22-24-26 ch, skip 10-11-12 dc (=2nd armhole), finish with 1 sl st at beg of round.


Then work as 6th round in diagram as follows: Work 1 dc + 2 ch in every dc until 1st armhole, * work 1 dc + 2 ch around ch-space *, repeat from *-* 10-11-12 more times, continue with 1 dc + 2 ch until 2nd armhole, * work 1 dc + 2 ch around ch-space *, repeat from *-* 10-11-12 more times = 82 dc with 2 ch between each. Then repeat 7th round 8-7-6 times upwards. Work 7th round 1-3-5 more times, AT THE SAME TIME inc 2 dc evenly on every row, i.e. two times on every round work as follows: 1 dc + 3 ch + 1 dc + 3 ch in 1 dc = 84-88-92 dc with 3 ch between each. Piece measures approx. 80-88-96 cm / 31½"-34½"-38" in diameter (= 40-44-48 cm / 15 ¾"-17 ¼"-19" from middle). Work last round in A.1, then work according to A.2 (= 21-22-23 repetitions in width). Fasten off.

SLEEVES:

Work in the round from armhole and down.

Work 1 dc + 2 ch in every dc skipped, and 1 dc + 2 ch in bottom edge of every dc from the other side of armhole = 21-23-25 dc with 2 ch between each. Insert a marker mid under sleeve. Continue with 1 dc + 2 ch in every dc. When piece measures 4 cm / 1½", dec 1 dc + 2 ch mid under sleeve as follows: Work last dc before marker but wait with last pull through, work next dc (do not work 2 ch between), on last pull through, pull yarn through all 3 loops on hook (= 1 dc + 2 ch dec). Dec every 5 cm / 2" 7 more times, dec alternately before and after marker = 13-15-17 dc with 2 ch between each. Continue until piece measures 48 cm / 19" in all sizes, fasten off. Work another sleeve the same way.


Diagram explanations

 = magic circle - see explanation above

 = ch

 = sc around ch-space

 = sc in picot

 = sl st

 = dc in st

- = dc around ch-space
- = dc between st from previous row
- = ch 3, 3 dc in first ch (= picot)
- = ch 3, 1 dc in first ch (= picot)
- † = tr in picot

Diagram for DROPS 168-27

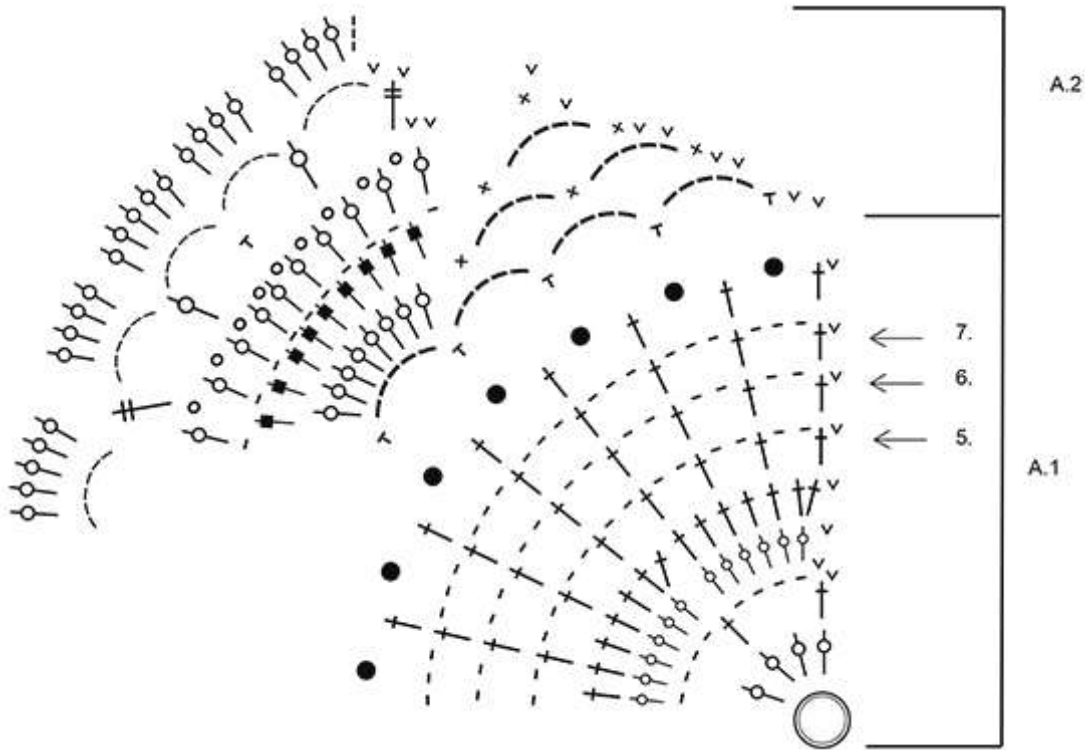
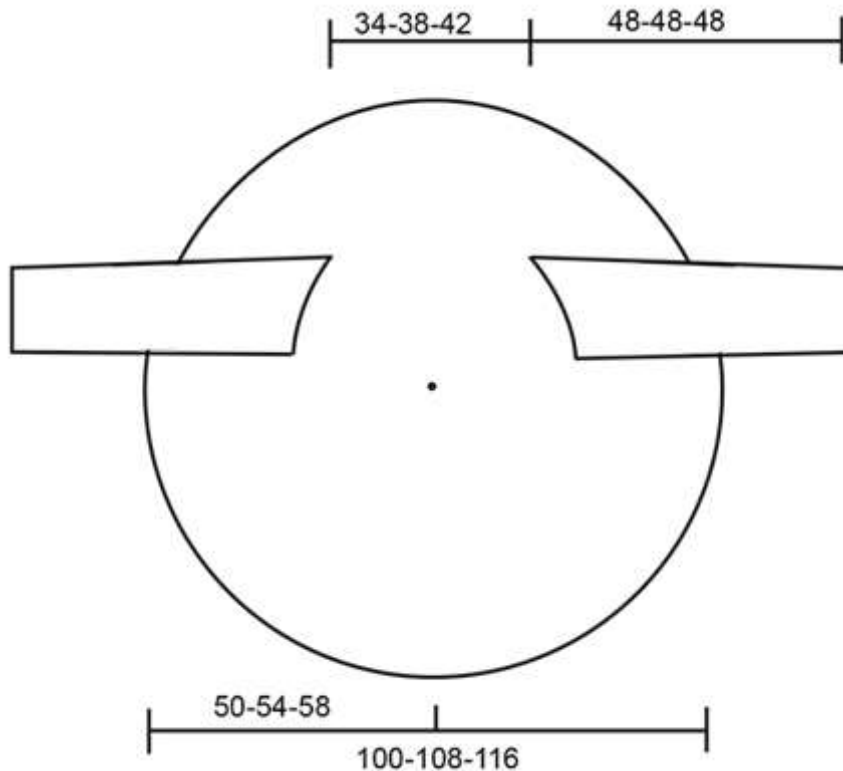


Diagram for DROPS 168-27



Do you need help with this pattern?

You can find 8 related videos available on this pattern's Video tab at:

<http://www.garnstudio.com/pattern.php?id=7391&cid=17>

We take pride in providing patterns that are correct and easy to understand. All patterns are translated from Norwegian and you can always check the original pattern for measurements and calculations. If we get a report of a potential error, we will review the pattern as soon as possible, and make the correction if necessary. This will normally be done within 2-3 days. If no correction is made, it means that we couldn't find any error/mistake. We then recommend you to get in contact with the store where you bought your yarn, or try to get help in the forums.

Find a DROPS Superstore!

Wool Warehouse Direct Ltd - Nordic Mart



DROPS DESIGN.
www.garnstudio.com

© 1982-2017 DROPS Design A/S. We reserve all rights.

This document, including all its sub-sections, has copyrights.

Read more about this by clicking on the "Copyright" link on the footer of our website.